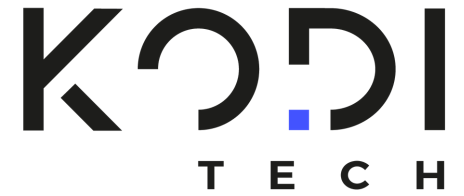


# You will pay, if you use it only !



## Point of Care 2

### SPECIFICATION

#### Capacity

10L

#### Functions

- Contactless hands disinfection

#### Frame

- Made of stainless steel
- 240 x 230 x 1800 mm



You only pay for a splash.  
No additional costs.  
Pay for an actual usage!

## What you obtain



Full service



disinfectant liquid



Insurance

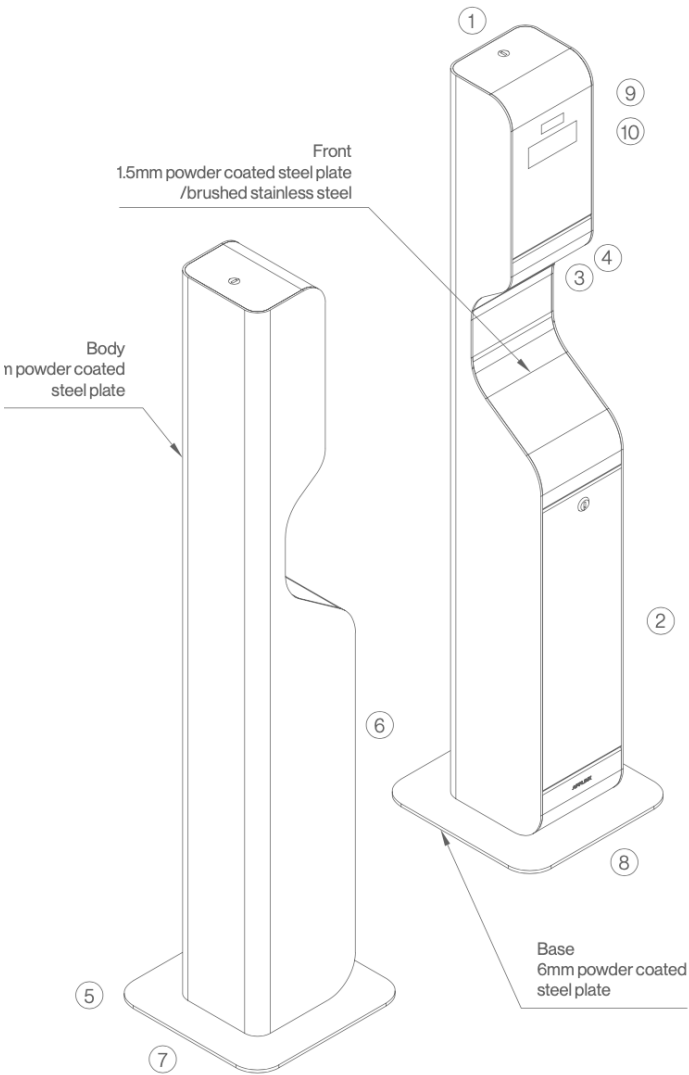


## POC #2

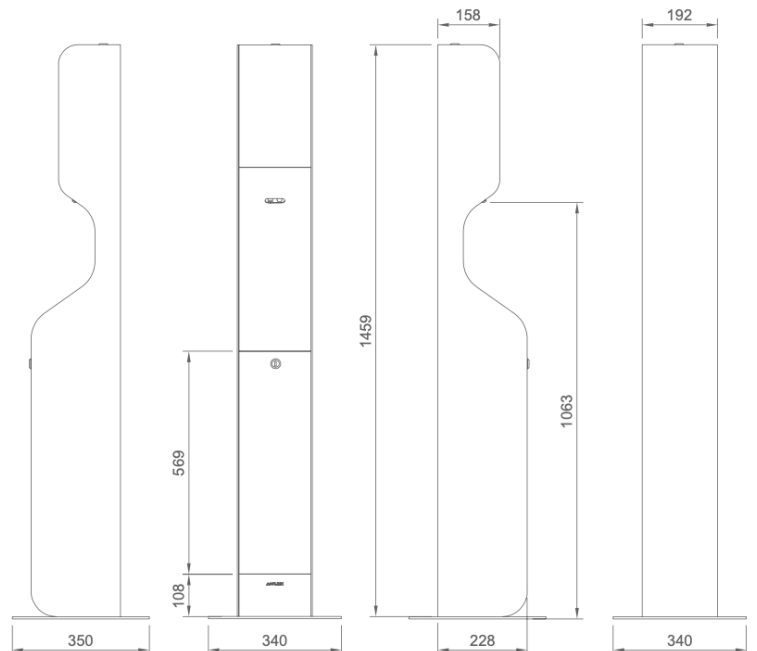
A large free-standing variant with the function of hand disinfection

## SPECIFICATION

① LOCK	Access to an inspection opening with electronics and stock of disinfectant
② FRONT	1.5mm powder coated steel plate
③ MOTION SENSOR	A sensor activating aerosol dose release
④ ATOMIZER	An opening releasing a dose of aerosol fluid
⑤ BASE	6 mm powder coated steel plate
⑥ BODY	3 mm powder coated steel plate
⑦ POWER SUPPLY	220V power cord or battery power supply
⑧ INSTALLATION	Permanent attachment to the ground with steel fixing anchors or temporary attachment with specialised double-sided tape



## SIDE VIEW



## COLOUR SCHEME



RAL 9005 RAL 9023 CUSTOMIZE

## Contact

biuro@kodi-tech.pl

+48 666 402 295

**KODI**  
TECH